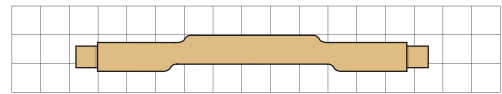
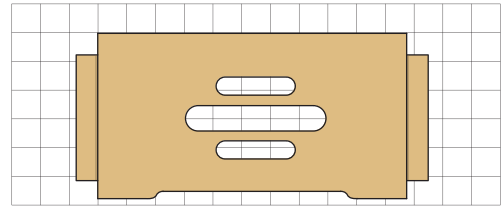
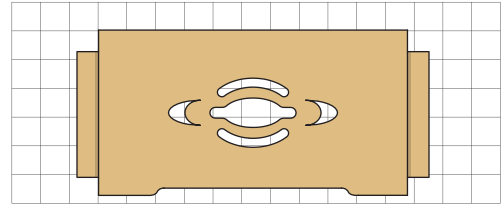
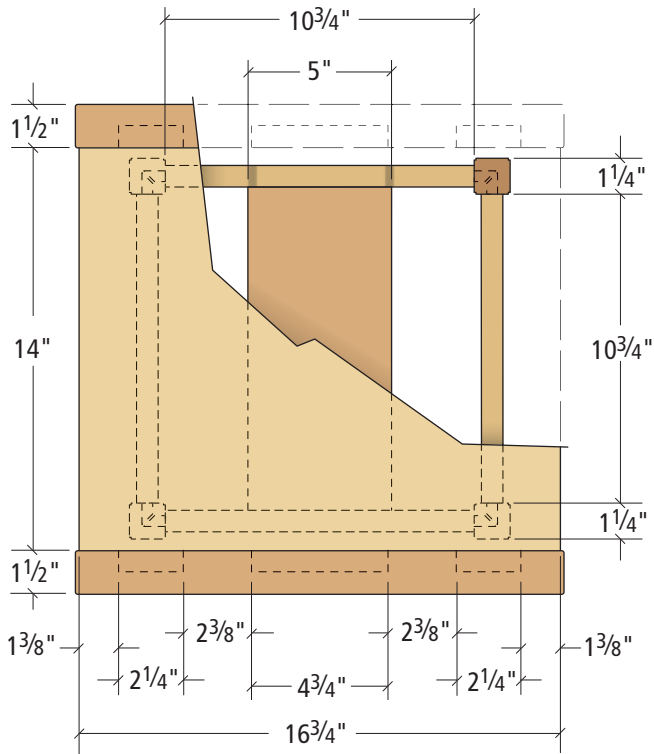


THORSEN HOUSE SIDE TABLE

NO.	ITEM	DIMENSIONS (INCHES)			MATERIAL	COMMENTS
		T	W	L		
1	Top	3/4	16 3/4	15 1/2	Mahogany	3/4" TBE
2	Breadboard ends	1	1 1/2	17	Mahogany	
4	Aprons	3/4	5 3/4	12 1/4	Mahogany	3/4" TBE
4	Legs	1 1/4	1 1/4	21 1/2	Mahogany	
2	Stretchers	3/4	1 1/4	12 1/4	Mahogany	3/4" TBE
1	Shelf	1/2	5	11 1/4	Mahogany	
32	Pegs	3/8	3/8	1/4	Ebony	

TBE = tenon both ends



1 square = 1"

